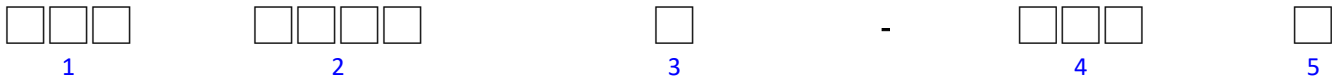


High Current Inductor \ MPS Type

Features

1. Shielded construction.
2. Frequency range up to 1.0 MHz.
3. Lowest DCR / μH , in this package size.
4. Handles high transient current spikes without saturation.
5. Ultra low buzz noise, due to composite construction

Product Identification



Series name	Dimensions (LxWxH)	Internal code
MPS	0630 6.6x7.2x3.0 mm	S

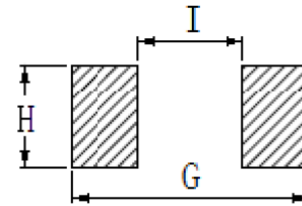
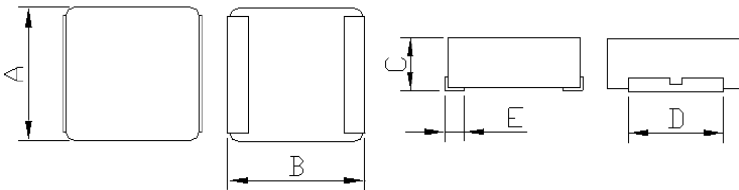
Inductance		Tolerance	
2R2	2.2 μH	M	20%

Rating

1. Operating temperature $-25^{\circ}\text{C} \sim +125^{\circ}\text{C}$
2. Storage conditions $-25^{\circ}\text{C} \sim +125^{\circ}\text{C}$

Shape and Dimension

Land Patterns for Reflow Soldering



Dimensions in mm

Part No.	A	B	C	D	E	G	H	I
MPS0412S	4.0 ± 0.3	4.5 ± 0.3	1.2 Max.	1.5 ± 0.3	0.8 ± 0.3	5.0 Ref.	2.3 Ref.	1.7 Ref.
MPS0415S	4.0 ± 0.3	4.5 ± 0.3	1.5 Max.	1.5 ± 0.3	0.8 ± 0.3	5.0 Ref.	2.3 Ref.	1.7 Ref.
MPS0420S	4.0 ± 0.3	4.5 ± 0.3	2.0 Max.	1.5 ± 0.3	0.8 ± 0.3	5.0 Ref.	2.3 Ref.	1.7 Ref.
MPS0520S	4.7 ± 0.3	5.3 ± 0.4	2.0 Max.	2.0 ± 0.5	1.0 ± 0.5	6.0 Ref.	2.8 Ref.	2.0 Ref.
MPS0530S	4.7 ± 0.3	5.3 ± 0.4	3.0 Max.	2.0 ± 0.5	1.0 ± 0.5	6.0 Ref.	2.8 Ref.	2.0 Ref.
MPS0550S	4.7 ± 0.3	5.3 ± 0.4	5.0 Max.	2.0 ± 0.5	1.0 ± 0.5	6.0 Ref.	2.8 Ref.	2.0 Ref.
MPS0612M	6.6 ± 0.3	7.0 ± 0.3	1.2 Max.	3.0 ± 0.5	1.6 ± 0.5	8.0 Ref.	3.8 Ref.	3.7 Ref.
MPS0615M	6.6 ± 0.3	7.0 ± 0.3	1.5 Max.	3.0 ± 0.5	1.6 ± 0.5	8.0 Ref.	3.8 Ref.	3.7 Ref.
MPS0618S	6.6 ± 0.3	7.2 ± 0.5	1.8 Max.	3.0 ± 0.5	1.6 ± 0.5	8.0 Ref.	3.8 Ref.	3.7 Ref.
MPS0618M	6.6 ± 0.3	7.0 ± 0.3	1.8 Max.	3.0 ± 0.5	1.6 ± 0.5	8.0 Ref.	3.8 Ref.	3.7 Ref.
MPS0620A	6.0 ± 0.3	6.5 ± 0.5	2.0 Max.	2.5 ± 0.5	1.3 ± 0.5	7.2 Ref.	3.2 Ref.	3.0 Ref.
MPS0620S	6.6 ± 0.3	7.2 ± 0.5	2.0 Max.	3.0 ± 0.5	1.6 ± 0.5	8.0 Ref.	3.8 Ref.	3.7 Ref.
MPS0624S	6.6 ± 0.3	7.2 ± 0.5	2.4 Max.	3.0 ± 0.5	1.6 ± 0.5	8.0 Ref.	3.8 Ref.	3.7 Ref.
MPS0624M	6.6 ± 0.3	7.0 ± 0.3	2.4 Max.	3.0 ± 0.5	1.6 ± 0.5	8.0 Ref.	3.8 Ref.	3.7 Ref.
MPS0630A	6.0 ± 0.3	6.5 ± 0.5	3.0 Max.	2.5 ± 0.5	1.3 ± 0.5	7.2 Ref.	3.2 Ref.	3.0 Ref.
MPS0630S/L	6.6 ± 0.3	7.2 ± 0.5	3.0 Max.	3.0 ± 0.5	1.6 ± 0.5	8.0 Ref.	3.8 Ref.	3.7 Ref.
MPS0630M	6.6 ± 0.3	7.0 ± 0.3	3.0 Max.	3.0 ± 0.5	1.6 ± 0.5	8.0 Ref.	3.8 Ref.	3.7 Ref.

High Curent Inductor \ MPS Type

Dimensions in mm

Part No.	A	B	C	D	E	G	H	I
MPS0640A	6.0 ± 0.3	6.5 ± 0.5	4.0 Max.	2.5 ± 0.5	1.3 ± 0.5	7.2 Ref.	3.2 Ref.	3.0 Ref.
MPS0640S	6.6 ± 0.3	7.2 ± 0.5	4.0 Max.	3.0 ± 0.5	1.6 ± 0.5	8.0 Ref.	3.8 Ref.	3.7 Ref.
MPS0650S	6.6 ± 0.3	7.2 ± 0.5	5.0 Max.	3.0 ± 0.5	1.6 ± 0.5	8.0 Ref.	3.8 Ref.	3.7 Ref.
MPS0850S	7.2 ± 0.3	7.8 ± 0.5	5.0 Max.	3.0 ± 0.5	1.6 ± 0.5	8.8 Ref.	3.8 Ref.	4.0 Ref.
MPS1040S	10.0 ± 0.5	11.5 ± 1.0	4.0 Max.	3.0 ± 0.5	2.2 ± 0.5	13.0 Ref.	3.8 Ref.	6.0 Ref.
MPS1045S	10.0 ± 0.5	11.5 ± 1.0	4.5 Max.	3.0 ± 0.5	2.2 ± 0.5	13.0 Ref.	3.8 Ref.	6.0 Ref.
MPS1050S	10.0 ± 0.5	11.5 ± 1.0	5.0 Max.	3.0 ± 0.5	2.2 ± 0.5	13.0 Ref.	3.8 Ref.	6.0 Ref.
MPS1235S	12.8 ± 0.5	13.5 ± 1.0	3.5 Max.	3.8 ± 0.5	2.5 ± 0.5	14.5 Ref.	5 Ref.	7.8 Ref.
MPS1250S	12.8 ± 0.5	13.5 ± 1.0	5.0 Max.	3.8 ± 0.5	2.5 ± 0.5	14.5 Ref.	5 Ref.	7.8 Ref.
MPS1265S	12.8 ± 0.5	13.5 ± 1.0	6.5 Max.	3.8 ± 0.5	2.5 ± 0.5	14.5 Ref.	5 Ref.	7.8 Ref.
MPS1770S	17.2 Max.	18 ± 0.5	7.2 Max.	11.9 ± 0.3	2.7 ± 0.5	19.5 Ref.	13 Ref.	11 Ref.
MPS1770A	17.2 Max.	18 ± 0.5	7.2 Max.	11.9 ± 0.3	2.7 ± 0.5	19.5 Ref.	13 Ref.	11 Ref.

High Current Inductor \ MPS Type

Electrical Characteristics MPS0412S Type

Part No.	Inductance (μH)	Irms (A) Max.	Isat (A) Max.	DCR (mΩ) Typ.	DCR (mΩ) Max.	Tolerance (%)	Test Frequency
MPS0412S-R47M	0.47	4.5	6	24	30	20	100 KHZ / 0.1 V
MPS0412S-R68M	0.68	3.5	5	36	41	20	100 KHZ / 0.1 V
MPS0412S-1R0M	1.0	3	5	60	79	20	100 KHZ / 0.1 V
MPS0412S-1R5M	1.5	2	3.5	74	80	20	100 KHZ / 0.1 V
MPS0412S-2R2M	2.2	2	3	96	110	20	100 KHZ / 0.1 V

Electrical Characteristics MPS00415S Type

Part No.	Inductance (μH)	Irms (A) Max.	Isat (A) Max.	DCR (mΩ) Typ.	DCR (mΩ) Max.	Tolerance (%)	Test Frequency
MPS0415S-R47M	0.47	5	9	20	27	20	100 KHZ / 0.1 V
MPS0415S-1R0M	1.0	4	6	39	50	20	100 KHZ / 0.1 V
MPS0415S-1R5M	1.5	3.5	5.5	48	63	20	100 KHZ / 0.1 V
MPS0415S-2R2M	2.20	2.5	4	67	86	20	100 KHZ / 0.1 V
MPS0415S-3R3M	3.3	2	3.5	116	156	20	100 KHZ / 0.1 V

Electrical Characteristics MPS0420S Type

Part No.	Inductance (μH)	Irms (A) Max.	Isat (A) Max.	DCR (mΩ) Typ.	DCR (mΩ) Max.	Tolerance (%)	Test Frequency
MPS0420S-R10M	0.10	12	25	5.5	8	20	100 KHZ / 0.1 V
MPS0420S-R22M	0.22	10	14	6.3	10	20	100 KHZ / 0.1 V
MPS0420S-R36M	0.36	8	11	8.6	12	20	100 KHZ / 0.1 V
MPS0420S-R47M	0.47	7	9.5	11	14	20	100 KHZ / 0.1 V
MPS0420S-R56M	0.56	6.5	9	13	20	20	100 KHZ / 0.1 V
MPS0420S-1R0M	1.0	4.5	7	21	28	20	100 KHZ / 0.1 V
MPS0420S-1R2M	1.2	4	7	23	32	20	100 KHZ / 0.1 V
MPS0420S-1R5M	1.5	4	6	28	38	20	100 KHZ / 0.1 V
MPS0420S-2R2M	2.2	3	5	42	52	20	100 KHZ / 0.1 V
MPS0420S-3R3M	3.3	2.5	4	60	80	20	100 KHZ / 0.1 V
MPS0420S-4R7M	4.7	2	3	118	150	20	100 KHZ / 0.1 V
MPS0420S-5R6M	5.6	1.8	2	126	150	20	100 KHZ / 0.1 V
MPS0420S-6R8M	6.8	1.8	2	130	170	20	100 KHZ / 0.1 V
MPS0420S-100M	10	1.5	2	225	280	20	100 KHZ / 0.1 V

Electrical Characteristics MPS0520S Type

Part No.	Inductance (μH)	Irms (A) Max.	Isat (A) Max.	DCR (mΩ) Typ.	DCR (mΩ) Max.	Tolerance (%)	Test Frequency
MPS0520S-R47M	0.47	8	12.5	10.5	15	20	100 KHZ / 0.1 V
MPS0520S-R68M	0.68	7	10	14	20	20	100 KHZ / 0.1 V
MPS0520S-1R0M	1.0	6	8	15	21	20	100 KHZ / 0.1 V
MPS0520S-1R2M	1.2	5	8	17	27	20	100 KHZ / 0.1 V
MPS0520S-1R5M	1.5	4	6	20	26	20	100 KHZ / 0.1 V
MPS0520S-2R2M	2.2	3.5	6	32	42	20	100 KHZ / 0.1 V
MPS0520S-3R3M	3.3	3.5	5.5	44	58	20	100 KHZ / 0.1 V
MPS0520S-4R7M	4.7	3.2	4.5	68	90	20	100 KHZ / 0.1 V
MPS0520S-5R6M	5.6	3	4	75	97	20	100 KHZ / 0.1 V
MPS0520S-6R8M	6.8	2	3.5	96	130	20	100 KHZ / 0.1 V
MPS0520S-100M	10	2	3	170	221	20	100 KHZ / 0.1 V

High Current Inductor \ MPS Type

Electrical Characteristics MPS0530S Type

Part No.	Inductance (μH)	Irms (A) Max.	Isat (A) Max.	DCR (mΩ) Typ.	DCR (mΩ) Max.	Tolerance (%)	Test Frequency
MPS0530S-R68M	0.68	8.5	14	11	12	20	100 KHZ / 0.1 V
MPS0530S-1R0M	1.0	7	11	13	14	20	100 KHZ / 0.1 V
MPS0530S-1R5M	1.5	6	10	20	25	20	100 KHZ / 0.1 V
MPS0530S-2R2M	2.2	5.5	9	26	38	20	100 KHZ / 0.1 V
MPS0530S-3R3M	3.3	5	7	30	42	20	100 KHZ / 0.1 V
MPS0530S-4R7M	4.7	4	6	46	60	20	100 KHZ / 0.1 V
MPS0530S-5R6M	5.6	4	5.5	62	79	20	100 KHZ / 0.1 V
MPS0530S-6R8M	6.8	3	5	66	86	20	100 KHZ / 0.1 V
MPS0530S-100M	10	2	4	115	150	20	100 KHZ / 0.1 V

Electrical Characteristics MPS0550S Type

Part No.	Inductance (μH)	Irms (A) Max.	Isat (A) Max.	DCR (mΩ) Typ.	DCR (mΩ) Max.	Tolerance (%)	Test Frequency
MPS0550S-100M	10	2.5	4.5	80	103	20	100 KHZ / 0.1 V
MPS0550S-150M	15	2	4	140	180	20	100 KHZ / 0.1 V
MPS0550S-220M	22	1.5	2.5	180	230	20	100 KHZ / 0.1 V
MPS0550S-330M	33	1.5	2	345	445	20	100 KHZ / 0.1 V
MPS0550S-470M	47	1	2	404	527	20	100 KHZ / 0.1 V
MPS0550S-560M	56	0.8	1	456	600	20	100 KHZ / 0.1 V

Electrical Characteristics MPS0612M Type

Part No.	Inductance (μH)	Irms (A) Max.	Isat (A) Max.	DCR (mΩ) Typ.	DCR (mΩ) Max.	Tolerance (%)	Test Frequency
MPS0612M-R56M	0.56	8	11	13.5	15.5	20	100 KHZ / 0.1 V
MPS0612M-R68M	0.68	7	9	15	17.5	20	100 KHZ / 0.1 V
MPS0612M-1R0M	1.0	6	7.5	25	29	20	100 KHZ / 0.1 V
MPS0612M-2R2M	2.2	4	5	51	58	20	100 KHZ / 0.1 V
MPS0612M-3R3M	3.3	3.5	4	80	92	20	100 KHZ / 0.1 V
MPS0612M-4R7M	4.7	3	3.5	106	122	20	100 KHZ / 0.1 V
MPS0612M-6R8M	6.8	2.5	2.8	185	210	20	100 KHZ / 0.1 V
MPS0612M-100M	10	2	2.2	250	280	20	100 KHZ / 0.1 V

Electrical Characteristics MPS0615M Type

Part No.	Inductance (μH)	Irms (A) Max.	Isat (A) Max.	DCR (mΩ) Typ.	DCR (mΩ) Max.	Tolerance (%)	Test Frequency
MPS0615M-R33M	0.33	11	19.5	6.8	7.8	20	100 KHZ / 0.1 V
MPS0615M-R68M	0.68	9.5	12	10.5	12	20	100 KHZ / 0.1 V
MPS0615M-R82M	0.82	8	10	15	17	20	100 KHZ / 0.1 V
MPS0615M-1R0M	1.0	6.5	9	18.5	21	20	100 KHZ / 0.1 V
MPS0615M-2R2M	2.2	4.2	6	46	54	20	100 KHZ / 0.1 V
MPS0615M-3R3M	3.3	3.8	5.5	54	63	20	100 KHZ / 0.1 V
MPS0615M-4R7M	4.7	3.5	5	76	85	20	100 KHZ / 0.1 V
MPS0615M-100M	10	2.3	3	165	175	20	100 KHZ / 0.1 V

Electrical Characteristics MPS0618S Type

Part No.	Inductance (μH)	Irms (A) Max.	Isat (A) Max.	DCR (mΩ) Typ.	DCR (mΩ) Max.	Tolerance (%)	Test Frequency
MPS0618S-1R0M	1	7	14	22	25	20	100 KHZ / 0.1 V

High Current Inductor \ MPS Type

Electrical Characteristics MPS0618S Type

Part No.	Inductance (μH)	Irms (A) Max.	Isat (A) Max.	DCR (mΩ) Typ.	DCR (mΩ) Max.	Tolerance (%)	Test Frequency
MPS0618S-1R5M	1.5	5.5	12	32	36	20	100 KHZ / 0.1 V
MPS0618S-2R2M	2.2	4	11	41	46	20	100 KHZ / 0.1 V
MPS0618S-3R3M	3.3	3.5	8	71	80	20	100 KHZ / 0.1 V
MPS0618S-4R7M	4.7	3.5	5	75	100	20	100 KHZ / 0.1 V
MPS0618S-5R6M	5.6	2.8	3.8	99	120	20	100 KHZ / 0.1 V
MPS0618S-6R8M	6.8	2.8	3.5	99	120	20	100 KHZ / 0.1 V

Electrical Characteristics MPS0618M Type

Part No.	Inductance (μH)	Irms (A) Max.	Isat (A) Max.	DCR (mΩ) Typ.	DCR (mΩ) Max.	Tolerance (%)	Test Frequency
MPS0618M-R22M	0.22	15	29	2	2.5	20	100 KHZ / 0.1 V
MPS0618M-R33M	0.33	13	22	5.2	6.8	20	100 KHZ / 0.1 V
MPS0618M-R47M	0.47	11.5	18	7.3	8.4	20	100 KHZ / 0.1 V
MPS0618M-R68M	0.68	9.5	17	10.8	12.7	20	100 KHZ / 0.1 V
MPS0618M-1R0M	1.0	8	14	14.5	17	20	100 KHZ / 0.1 V
MPS0618M-1R5M	1.5	7.5	13	20	26	20	100 KHZ / 0.1 V
MPS0618M-2R2M	2.2	7	12	31	35	20	100 KHZ / 0.1 V
MPS0618M-3R3M	3.3	4.5	10	56	60	20	100 KHZ / 0.1 V
MPS0618M-4R7M	4.7	4	5	68	70	20	100 KHZ / 0.1 V
MPS0618M-6R8M	6.8	3	3.5	101	110	20	100 KHZ / 0.1 V
MPS0618M-8R2M	8.2	2.5	3	120	135	20	100 KHZ / 0.1 V
MPS0618M-100M	10	2.3	2.5	140	155	20	100 KHZ / 0.1 V

Electrical Characteristics MPS0620A Type

Part No.	Inductance (μH)	Irms (A) Max.	Isat (A) Max.	DCR (mΩ) Typ.	DCR (mΩ) Max.	Tolerance (%)	Test Frequency
MPS0620A-1R0M	1.0	6	8	14	20	20	100 KHZ / 0.1 V
MPS0620A-1R5M	1.5	5	7	20	27	20	100 KHZ / 0.1 V
MPS0620A-2R2M	2.2	4	6	27	35	20	100 KHZ / 0.1 V
MPS0620A-3R3M	3.3	3.5	5	49	65	20	100 KHZ / 0.1 V
MPS0620A-4R7M	4.7	3	4.5	65	90	20	100 KHZ / 0.1 V
MPS0620A-6R8M	6.8	2.5	4	106	139	20	100 KHZ / 0.1 V
MPS0620A-100M	10.0	2	3.5	180	240	20	100 KHZ / 0.1 V

Electrical Characteristics MPS0620S Type

Part No.	Inductance (μH)	Irms (A) Max.	Isat (A) Max.	DCR (mΩ) Typ.	DCR (mΩ) Max.	Tolerance (%)	Test Frequency
MPS0620S-1R0M	1.0	7	14	16	21	20	100 KHZ / 0.1 V
MPS0620S-1R5M	1.5	7	10	17	22	20	100 KHZ / 0.1 V
MPS0620S-2R2M	2.2	5	8	23	28	20	100 KHZ / 0.1 V
MPS0620S-3R3M	3.3	4	7	31	39	20	100 KHZ / 0.1 V
MPS0620S-4R7M	4.7	3.5	5.5	41	50	20	100 KHZ / 0.1 V
MPS0620S-5R6M	5.6	3	4.5	87	115	20	100 KHZ / 0.1 V
MPS0620S-6R8M	6.8	2.5	4	110	132	20	100 KHZ / 0.1 V

High Current Inductor \ MPS Type

Electrical Characteristics MPS0620S Type

Part No.	Inductance (μ H)	Irms (A) Max.	Isat (A) Max.	DCR (m Ω) Typ.	DCR (m Ω) Max.	Tolerance (%)	Test Frequency
MPS0620S-8R2M	8.2	2.2	3.5	168	217	20	100 KHZ / 0.1 V
MPS0620S-100M	10	2	3.5	191	220	20	100 KHZ / 0.1 V

Electrical Characteristics MPS0624S Type

Part No.	Inductance (μ H)	Irms (A) Max.	Isat (A) Max.	DCR (m Ω) Typ.	DCR (m Ω) Max.	Tolerance (%)	Test Frequency
MPS0624S-1R0M	1.0	9	12	11.2	13.5	20	100 KHZ / 0.1 V
MPS0624S-1R5M	1.5	7	10	17	20	20	100 KHZ / 0.1 V
MPS0624S-2R2M	2.2	5	8	23	28	20	100 KHZ / 0.1 V
MPS0624S-3R3M	3.3	4	7	31	39	20	100 KHZ / 0.1 V
MPS0624S-4R7M	4.7	3.5	5.5	41	50	20	100 KHZ / 0.1 V
MPS0624S-100M	10	2	3.5	91	120	20	100 KHZ / 0.1 V

Electrical Characteristics MPS0624M Type

Part No.	Inductance (μ H)	Irms (A) Max.	Isat (A) Max.	DCR (m Ω) Typ.	DCR (m Ω) Max.	Tolerance (%)	Test Frequency
MPS0624M-R22M	0.22	21	34	2.5	3	20	100 KHZ / 0.1 V
MPS0624M-R33M	0.33	18	24.5	3.5	4.1	20	100 KHZ / 0.1 V
MPS0624M-R47M	0.47	15	22	4.5	5.1	20	100 KHZ / 0.1 V
MPS0624M-R56M	0.56	13	17	5.5	6.5	20	100 KHZ / 0.1 V
MPS0624M-R68M	0.68	12	16	6.2	7	20	100 KHZ / 0.1 V
MPS0624M-1R0M	1.0	9	16	11	13.5	20	100 KHZ / 0.1 V
MPS0624M-1R5M	1.5	9	15	17	20	20	100 KHZ / 0.1 V
MPS0624M-2R2M	2.2	7	14	23	28	20	100 KHZ / 0.1 V
MPS0624M-3R3M	3.3	5.5	13	31	39	20	100 KHZ / 0.1 V
MPS0624M-4R7M	4.7	5	10	41	50	20	100 KHZ / 0.1 V
MPS0624M-6R8M	6.8	4	6	57	70	20	100 KHZ / 0.1 V
MPS0624M-100M	10	3.1	4	92	101	20	100 KHZ / 0.1 V
MPS0624M-150M	15	2.5	3.3	145	160	20	100 KHZ / 0.1 V

Electrical Characteristics MPS0630A Type

Part No.	Inductance (μ H)	Irms (A) Max.	Isat (A) Max.	DCR (m Ω) Typ.	DCR (m Ω) Max.	Tolerance (%)	Test Frequency
MPS0630A-R68M	0.68	11	16	12	16	20	100 KHZ / 0.1 V
MPS0630A-1R5M	1.5	9	12	16	22	20	100 KHZ / 0.1 V
MPS0630A-2R2M	2.2	8	11	17	20	20	100 KHZ / 0.1 V
MPS0630A-2R7M	2.7	6	8	25	34	20	100 KHZ / 0.1 V
MPS0630A-3R3M	3.3	5	7	32	45	20	100 KHZ / 0.1 V
MPS0630A-4R7M	4.7	5.5	7	34	45	20	100 KHZ / 0.1 V
MPS0630A-5R6M	5.6	4	6	54	70	20	100 KHZ / 0.1 V
MPS0630A-6R8M	6.8	5	7	63	84	20	100 KHZ / 0.1 V
MPS0630A-100M	10	4	6	75	100	20	100 KHZ / 0.1 V

High Current Inductor \ MPS Type

Electrical Characteristics MPS0630S Type

Part No.	Inductance (μH)	I _{rms} (A) Max.	I _{sat} (A) Max.	DCR (mΩ) Typ.	DCR (mΩ) Max.	Tolerance (%)	Test Frequency
MPS0630S-R10M	0.10	32.5	60	1.5	1.7	20	100 KHZ / 0.1 V
MPS0630S-R15M	0.15	26	52	1.9	2.5	20	100 KHZ / 0.1 V
MPS0630S-R20M	0.20	24	41	2.4	3	20	100 KHZ / 0.1 V
MPS0630S-R22M	0.22	23	40	2.5	3	20	100 KHZ / 0.1 V
MPS0630S-R33M	0.33	20	30	3.5	4	20	100 KHZ / 0.1 V
MPS0630S-R47M	0.47	17.5	26	4	4.5	20	100 KHZ / 0.1 V
MPS0630S-R68M	0.68	15.5	25	5	5.5	20	100 KHZ / 0.1 V
MPS0630S-R82M	0.82	13	24	6.7	8	20	100 KHZ / 0.1 V
MPS0630S-1R0M	1.0	11	22	9	10	20	100 KHZ / 0.1 V
MPS0630S-1R5M	1.5	9	18	14	16	20	100 KHZ / 0.1 V
MPS0630S-2R2M	2.2	8	14	18	20	20	100 KHZ / 0.1 V
MPS0630S-3R3M	3.3	6	13.5	28	32	20	100 KHZ / 0.1 V
MPS0630S-4R7M	4.7	5.5	10	37	40	20	100 KHZ / 0.1 V
MPS0630S-5R6M	5.6	5	8	47	60	20	100 KHZ / 0.1 V
MPS0630S-6R8M	6.8	4.5	8	54	60	20	100 KHZ / 0.1 V
MPS0630S-8R2M	8.2	4	7.5	64	68	20	100 KHZ / 0.1 V
MPS0630S-100M	10	3	7	102	105	20	100 KHZ / 0.1 V

Electrical Characteristics MPS0630M Type

Part No.	Inductance (μH)	I _{rms} (A) Max.	I _{sat} (A) Max.	DCR (mΩ) Typ.	DCR (mΩ) Max.	Tolerance (%)	Test Frequency
MPS0630M-R22M	0.22	24	34	2.5	3	20	100 KHZ / 0.1 V
MPS0630M-R33M	0.33	22	25	3	3.5	20	100 KHZ / 0.1 V
MPS0630M-R47M	0.47	18	20	3.5	4.1	20	100 KHZ / 0.1 V
MPS0630M-R56M	0.56	16.5	18	3.9	4.5	20	100 KHZ / 0.1 V
MPS0630M-R68M	0.68	16	17	4.8	5.3	20	100 KHZ / 0.1 V
MPS0630M-1R0M	1.0	14	15	6.7	7.4	20	100 KHZ / 0.1 V
MPS0630M-1R5M	1.5	12	14	10.6	12.1	20	100 KHZ / 0.1 V
MPS0630M-2R2M	2.2	9	10	13.5	15	20	100 KHZ / 0.1 V
MPS0630M-3R3M	3.3	8.5	9.5	18	22	20	100 KHZ / 0.1 V
MPS0630M-4R7M	4.7	6	6.5	28	33	20	100 KHZ / 0.1 V
MPS0630M-6R8M	6.8	5.5	6	42.5	48	20	100 KHZ / 0.1 V
MPS0630M-8R2M	8.2	4.5	6	54	60	20	100 KHZ / 0.1 V
MPS0630M-100M	10	4.5	5.5	62	67	20	100 KHZ / 0.1 V
MPS0630M-150M	15	4.5	5.5	104	115	20	100 KHZ / 0.1 V

Electrical Characteristics MPS0630L Type

Part No.	Inductance (μH)	I _{rms} (A) Max.	I _{sat} (A) Max.	DCR (mΩ) Typ.	DCR (mΩ) Max.	Tolerance (%)	Test Frequency
MPS0630L-1R0M	0.1	12.5	9.5	7.6	8.5	20	100 KHZ / 0.1 V
MPS0630L-1R5M	1.5	10.5	8	11.7	13.5	20	100 KHZ / 0.1 V
MPS0630L-2R2M	2.2	9	7	15.7	17	20	100 KHZ / 0.1 V
MPS0630L-3R3M	3.3	7	6.5	24.8	26.8	20	100 KHZ / 0.1 V

High Current Inductor \ MPS Type

Electrical Characteristics MPS0630L Type

Part No.	Inductance (μH)	I _{rms} (A) Max.	I _{sat} (A) Max.	DCR (mΩ) Typ.	DCR (mΩ) Max.	Tolerance (%)	Test Frequency
MPS0630L-4R7M	4.7	6	4	31.8	34	20	100 KHZ / 0.1 V
MPS0630L-6R8M	6.8	5.5	4	44.8	46.8	20	100 KHZ / 0.1 V
MPS0630L-8R2M	8.2	5	4	52.3	57	20	100 KHZ / 0.1 V
MPS0630L-100M	10	4	3.5	67.8	72	20	100 KHZ / 0.1 V
MPS0630L-220M	22	2.9	2.5	128.9	135	20	100 KHZ / 0.1 V

Electrical Characteristics MPS0640A Type

Part No.	Inductance (μH)	I _{rms} (A) Max.	I _{sat} (A) Max.	DCR (mΩ) Typ.	DCR (mΩ) Max.	Tolerance (%)	Test Frequency
MPS0640A-150M	15	3	4	96	120	20	100 KHZ / 0.1 V
MPS0640A-180M	18	2	3	120	160	20	100 KHZ / 0.1 V
MPS0640A-220M	22	2	3	125	170	20	100 KHZ / 0.1 V
MPS0640A-470M	47	1.5	2	260	345	20	100 KHZ / 0.1 V

Electrical Characteristics MPS0640S Type

Part No.	Inductance (μH)	I _{rms} (A) Max.	I _{sat} (A) Max.	DCR (mΩ) Typ.	DCR (mΩ) Max.	Tolerance (%)	Test Frequency
MPS0640S-R33M	0.33	20	30	2	2.5	20	100 KHZ / 0.1 V
MPS0640S-R56M	0.56	17	25	4	4.5	20	100 KHZ / 0.1 V
MPS0640S-R68M	0.68	13	15	4	4.5	20	100 KHZ / 0.1 V
MPS0640S-1R5M	1.5	10	19	14	16	20	100 KHZ / 0.1 V
MPS0640S-2R2M	2.2	9	16	15	18	20	100 KHZ / 0.1 V
MPS0640S-3R3M	3.3	7	13	21	25	20	100 KHZ / 0.1 V
MPS0640S-4R7M	4.7	6	10	23	30	20	100 KHZ / 0.1 V

Electrical Characteristics MPS0650S Type

Part No.	Inductance (μH)	I _{rms} (A) Max.	I _{sat} (A) Max.	DCR (mΩ) Typ.	DCR (mΩ) Max.	Tolerance (%)	Test Frequency
MPS0650S-R36M	0.36	21	25	3.2	3.5	20	100 KHZ / 0.1 V
MPS0650S-R56M	0.56	20	18	3.4	3.6	20	100 KHZ / 0.1 V
MPS0650S-R68M	0.68	18	17	3.9	4.2	20	100 KHZ / 0.1 V
MPS0650S-R82M	0.82	16.5	16	4.6	4.9	20	100 KHZ / 0.1 V
MPS0650S-1R0M	1	13	15	5.6	6.5	20	100 KHZ / 0.1 V
MPS0650S-1R5M	1.5	8	14	8.5	12	20	100 KHZ / 0.1 V
MPS0650S-2R2M	2.2	8	12	11.2	12.5	20	100 KHZ / 0.1 V
MPS0650S-3R3M	3.3	7	8	19.9	20.9	20	100 KHZ / 0.1 V
MPS0650S-4R7M	4.7	6.5	7	23	25	20	100 KHZ / 0.1 V
MPS0650S-6R8M	6.8	5	9	33	45	20	100 KHZ / 0.1 V
MPS0650S-100M	10	4	5.3	61	80	20	100 KHZ / 0.1 V
MPS0650S-150M	15	2.5	4	90	120	20	100 KHZ / 0.1 V
MPS0650S-220M	22	2.2	4	108	140	20	100 KHZ / 0.1 V
MPS0650S-330M	33	2	4	160	210	20	100 KHZ / 0.1 V
MPS0650S-470M	47	2	3	192	247	20	100 KHZ / 0.1 V

High Current Inductor \ MPS Type

Electrical Characteristics MPS0850S Type

Part No.	Inductance (μ H)	I _{rms} (A) Max.	I _{sat} (A) Max.	DCR (m Ω) Typ.	DCR (m Ω) Max.	Tolerance (%)	Test Frequency
MPS0850S-2R2M	2.2	9	14	10	12	20	100 KHZ / 0.1 V
MPS0850S-6R8M	6.8	5.5	8	23	30	20	100 KHZ / 0.1 V
MPS0850S-100M	10	4.8	7	37	65	20	100 KHZ / 0.1 V
MPS0850S-220M	22	3	5	107	140	20	100 KHZ / 0.1 V
MPS0850S-270M	27	3	4.5	140	182	20	100 KHZ / 0.1 V
MPS0850S-330M	33	2	4	194	237	20	100 KHZ / 0.1 V
MPS0850S-470M	47	2	3	206	247	20	100 KHZ / 0.1 V
MPS0850S-560M	56	1.8	3	240	310	20	100 KHZ / 0.1 V

Electrical Characteristics MPS1040S Type

Part No.	Inductance (μ H)	I _{rms} (A) Max.	I _{sat} (A) Max.	DCR (m Ω) Typ.	DCR (m Ω) Max.	Tolerance (%)	Test Frequency
MPS1040S-R36M	0.36	30	50	1.05	1.2	20	100 KHZ / 0.1 V
MPS1040S-R47M	0.47	25	37	1.2	1.8	20	100 KHZ / 0.1 V
MPS1040S-R56M	0.56	25	33	1.6	2.3	20	100 KHZ / 0.1 V
MPS1040S-R68M	0.68	18	30	2	3	20	100 KHZ / 0.1 V
MPS1040S-1R0M	1	18	28	3	3.5	20	100 KHZ / 0.1 V
MPS1040S-1R5M	1.5	16	25	5	5.8	20	100 KHZ / 0.1 V
MPS1040S-2R2M	2.2	12	18	7	9	20	100 KHZ / 0.1 V
MPS1040S-3R3M	3.3	10	14	10.8	12.8	20	100 KHZ / 0.1 V
MPS1040S-4R7M	4.7	8	14	15	18	20	100 KHZ / 0.1 V
MPS1040S-5R6M	5.6	7.5	14	20	23	20	100 KHZ / 0.1 V
MPS1040S-6R8M	6.8	6.5	9	22.5	25	20	100 KHZ / 0.1 V
MPS1040S-100M	10	6	8	27.5	35	20	100 KHZ / 0.1 V
MPS1040S-150M	15	3.6	6	53	70	20	100 KHZ / 0.1 V
MPS1040S-220M	22	4	6	73	92	20	100 KHZ / 0.1 V
MPS1040S-330M	33	3	5	136	177	20	100 KHZ / 0.1 V
MPS1040S-470M	47	3	4.5	145	180	20	100 KHZ / 0.1 V
MPS1040S-101M	100	2.5	2.25	249	270	20	100 KHZ / 0.1 V

Electrical Characteristics MPS1045S Type

Part No.	Inductance (μ H)	I _{rms} (A) Max.	I _{sat} (A) Max.	DCR (m Ω) Typ.	DCR (m Ω) Max.	Tolerance (%)	Test Frequency
MPS1045S-1R0M	1	22	34	2.7	3.2	20	100 KHZ / 0.1 V
MPS1045S-2R2M	2.2	14	16	5.8	7	20	100 KHZ / 0.1 V
MPS1045S-3R3M	3.3	11	14.5	11	13.2	20	100 KHZ / 0.1 V
MPS1045S-4R7M	4.7	10	13	13.2	15	20	100 KHZ / 0.1 V
MPS1045S-5R6M	5.6	8.5	10.5	16	18.5	20	100 KHZ / 0.1 V
MPS1045S-6R8M	6.8	7.5	9.5	21.5	24	20	100 KHZ / 0.1 V
MPS1045S-330M	33	3	5	77	101	20	100 KHZ / 0.1 V
MPS1045S-470M	47	3	4	160	210	20	100 KHZ / 0.1 V

High Current Inductor \ MPS Type

Electrical Characteristics MPS1050S Type

Part No.	Inductance (μH)	Irms (A) Max.	Isat (A) Max.	DCR (mΩ) Typ.	DCR (mΩ) Max.	Tolerance (%)	Test Frequency
MPS1050S-5R2M	5.2	5.5	10	16	21	20	100 KHZ / 0.1 V
MPS1050S-150M	15	3.6	6	39	52	20	100 KHZ / 0.1 V
MPS1050S-220M	22	4	6	73	92	20	100 KHZ / 0.1 V
MPS1050S-330M	33	3	5	107	120	20	100 KHZ / 0.1 V
MPS1050S-470M	47	3	4	160	210	20	100 KHZ / 0.1 V
MPS1050S-680M	68	3	4	240	300	20	100 KHZ / 0.1 V
MPS1050S-101M	100	2	3	320	400	20	100 KHZ / 0.1 V

Electrical Characteristics MPS1235S Type

Part No.	Inductance (μH)	Irms (A) Max.	Isat (A) Max.	DCR (mΩ) Typ.	DCR (mΩ) Max.	Tolerance (%)	Test Frequency
MPS1235S-R22M	0.22	38	65	1.1	1.3	20	100 KHZ / 0.1 V
MPS1235S-R33M	0.33	36.5	62	1.3	1.5	20	100 KHZ / 0.1 V
MPS1235S-R39M	0.39	34	60	1.1	1.3	20	100 KHZ / 0.1 V
MPS1235S-R47M	0.47	32	55	1.7	2	20	100 KHZ / 0.1 V
MPS1235S-R56M	0.56	29	51	1.8	2.2	20	100 KHZ / 0.1 V
MPS1235S-R62M	0.62	29	51	1.8	2.2	20	100 KHZ / 0.1 V
MPS1235S-R68M	0.68	28	49	2.3	2.5	20	100 KHZ / 0.1 V
MPS1235S-1R0M	1	24	40	3.3	3.5	20	100 KHZ / 0.1 V
MPS1235S-1R5M	1.5	19	35	5.1	5.5	20	100 KHZ / 0.1 V
MPS1235S-2R2M	2.2	16	29	7.2	8	20	100 KHZ / 0.1 V
MPS1235S-3R3M	3.3	12	27	10	12	20	100 KHZ / 0.1 V
MPS1235S-4R7M	4.7	11	20	17	26	20	100 KHZ / 0.1 V

Electrical Characteristics MPS1250S Type

Part No.	Inductance (μH)	Irms (A) Max.	Isat (A) Max.	DCR (mΩ) Typ.	DCR (mΩ) Max.	Tolerance (%)	Test Frequency
MPS1250S-R22M	0.22	51	110	0.64	0.8	20	100 KHZ / 0.1 V
MPS1250S-R33M	0.33	42	80	0.85	1.1	20	100 KHZ / 0.1 V
MPS1250S-R36M	0.36	41	75	0.77	1.1	20	100 KHZ / 0.1 V
MPS1250S-R47M	0.47	38	65	1.1	1.3	20	100 KHZ / 0.1 V
MPS1250S-R56M	0.56	36	55	1.2	1.5	20	100 KHZ / 0.1 V
MPS1250S-R68M	0.68	34	54	1.5	1.7	20	100 KHZ / 0.1 V
MPS1250S-R82M	0.82	31	53	1.8	2.1	20	100 KHZ / 0.1 V
MPS1250S-1R0M	1	29	50	2.1	2.5	20	100 KHZ / 0.1 V
MPS1250S-1R2M	1.2	25	49	2.6	3	20	100 KHZ / 0.1 V
MPS1250S-1R5M	1.5	23	48	3.4	4.1	20	100 KHZ / 0.1 V
MPS1250S-2R2M	2.2	20	32	4.6	5.5	20	100 KHZ / 0.1 V
MPS1250S-3R3M	3.3	15	32	7.7	9.2	20	100 KHZ / 0.1 V
MPS1250S-4R7M	4.7	12	27	12.8	15	20	100 KHZ / 0.1 V
MPS1250S-6R8M	6.8	11	21	15.4	18.5	20	100 KHZ / 0.1 V
MPS1250S-100M	10	7	11	21	28	20	100 KHZ / 0.1 V
MPS1250S-150M	15	6	9	32	41	20	100 KHZ / 0.1 V

High Current Inductor \ MPS Type

Electrical Characteristics MPS1250S Type

Part No.	Inductance (μ H)	I _{rms} (A) Max.	I _{sat} (A) Max.	DCR (m Ω) Typ.	DCR (m Ω) Max.	Tolerance (%)	Test Frequency
MPS1250S-220M	22	4	6	51	66	20	100 KHZ / 0.1 V
MPS1250S-330M	33	4	6	65	84	20	100 KHZ / 0.1 V
MPS1250S-470M	47	3	5	85	110	20	100 KHZ / 0.1 V
MPS1250S-560M	56	2	4	143	190	20	100 KHZ / 0.1 V
MPS1250S-680M	68	1.5	3.5	154	200	20	100 KHZ / 0.1 V

Electrical Characteristics MPS1265S Type

Part No.	Inductance (μ H)	I _{rms} (A) Max.	I _{sat} (A) Max.	DCR (m Ω) Typ.	DCR (m Ω) Max.	Tolerance (%)	Test Frequency
MPS1265S-R10M	0.10	60	120	0.47	0.52	20	100 KHZ / 0.1 V
MPS1265S-R15M	0.15	55	118	0.53	0.6	20	100 KHZ / 0.1 V
MPS1265S-R22M	0.22	38	65	1.1	1.3	20	100 KHZ / 0.1 V
MPS1265S-R30M	0.30	48	72	0.7	0.8	20	100 KHZ / 0.1 V
MPS1265S-R33M	0.33	36.5	62	1.3	1.5	20	100 KHZ / 0.1 V
MPS1265S-R36M	0.36	34	60	1.1	1.3	20	100 KHZ / 0.1 V
MPS1265S-R40M	0.40	44	64	0.9	1	20	100 KHZ / 0.1 V
MPS1265S-R47M	0.47	41	63	1	1.2	20	100 KHZ / 0.1 V
MPS1265S-R56M	0.56	37	62	1.2	1.4	20	100 KHZ / 0.1 V
MPS1265S-R68M	0.68	35	60	1.4	1.6	20	100 KHZ / 0.1 V
MPS1265S-R80M	0.80	32	55	1.7	2	20	100 KHZ / 0.1 V
MPS1265S-R82M	0.82	33	50	1.6	1.9	20	100 KHZ / 0.1 V
MPS1265S-1R0M	1	32	49	1.7	2	20	100 KHZ / 0.1 V
MPS1265S-1R2M	1.2	30	48	2.1	2.5	20	100 KHZ / 0.1 V
MPS1265S-1R5M	1.5	27	45	2.5	3	20	100 KHZ / 0.1 V
MPS1265S-1R8M	1.8	24	41	2.8	3.2	20	100 KHZ / 0.1 V
MPS1265S-2R2M	2.2	17	26	4.7	6.1	20	100 KHZ / 0.1 V
MPS1265S-3R3M	3.3	15	27	5.9	7.1	20	100 KHZ / 0.1 V
MPS1265S-4R7M	4.7	13.5	30	9.3	11.2	20	100 KHZ / 0.1 V
MPS1265S-5R6M	5.6	12	24	9	12	20	100 KHZ / 0.1 V
MPS1265S-6R8M	6.8	11.5	16.5	13.1	14	20	100 KHZ / 0.1 V
MPS1265S-7R8M	7.8	10	17	13.5	17	20	100 KHZ / 0.1 V
MPS1265S-8R2M	8.2	10.5	16	14.5	15.5	20	100 KHZ / 0.1 V
MPS1265S-100M	10	8	12	15	18	20	100 KHZ / 0.1 V
MPS1265S-150M	15	6	9	30.5	38	20	100 KHZ / 0.1 V
MPS1265S-180M	18	7	9.5	28	31	20	100 KHZ / 0.1 V
MPS1265S-220M	22	5	8	33.5	36	20	100 KHZ / 0.1 V
MPS1265S-330M	33	4	6	48	57	20	100 KHZ / 0.1 V
MPS1265S-470M	47	3.5	5	57.5	75	20	100 KHZ / 0.1 V
MPS1265S-560M	56	3.2	4.5	74	95	20	100 KHZ / 0.1 V
MPS1265S-680M	68	3	4	113	148	20	100 KHZ / 0.1 V
MPS1265S-101M	100	2.5	3.8	240	310	20	100 KHZ / 0.1 V
MPS1265S-151M	150	2	3.5	282	340	20	100 KHZ / 0.1 V

High Current Inductor \ MPS Type

Electrical Characteristics MPS1770A Type

Part No.	Inductance (μ H)	I _{rms} (A) Max.	I _{sat} (A) Max.	DCR (m Ω) Typ.	DCR (m Ω) Max.	Tolerance (%)	Test Frequency
MPS1770A-R22M	0.22	80	129	0.63	0.7	20	100 KHZ / 0.1 V
MPS1770A-R33M	0.33	65	126	0.71	0.79	20	100 KHZ / 0.1 V
MPS1770A-R47M	0.47	62	123	0.84	0.92	20	100 KHZ / 0.1 V
MPS1770A-R56M	0.56	56	88	0.91	1	20	100 KHZ / 0.1 V
MPS1770A-R82M	0.82	50	73	1.17	1.29	20	100 KHZ / 0.1 V
MPS1770A-1R0M	1	48	73	1.28	1.35	20	100 KHZ / 0.1 V
MPS1770A-1R5M	1.5	42	65	1.78	1.88	20	100 KHZ / 0.1 V
MPS1770A-1R8M	1.8	38	65	1.96	2.07	20	100 KHZ / 0.1 V
MPS1770A-2R2M	2.2	35	62	2.4	2.53	20	100 KHZ / 0.1 V
MPS1770A-3R3M	3.3	28	54	3.68	3.88	20	100 KHZ / 0.1 V
MPS1770A-4R7M	4.7	25	41	4.84	5.11	20	100 KHZ / 0.1 V
MPS1770A-5R6M	5.6	21	40	6.68	7.05	20	100 KHZ / 0.1 V
MPS1770A-6R8M	6.8	19	32	8.4	8.83	20	100 KHZ / 0.1 V
MPS1770A-8R2M	8.2	18	25	10.1	10.66	20	100 KHZ / 0.1 V
MPS1770A-100M	10	16.5	25	11.6	12	20	100 KHZ / 0.1 V
MPS1770A-150M	15	12.5	25	18.8	19.9	20	100 KHZ / 0.1 V
MPS1770A-220M	22	11	23	25.1	26.5	20	100 KHZ / 0.1 V

Electrical Characteristics MPS1770S Type

Part No.	Inductance (μ H)	I _{rms} (A) Max.	I _{sat} (A) Max.	DCR (m Ω) Typ.	DCR (m Ω) Max.	Tolerance (%)	Test Frequency
MPS1770S-R33M	0.33	75.5	55	0.61	0.67	20	100 KHZ / 0.1 V
MPS1770S-R47M	0.47	64.5	62	0.78	0.87	20	100 KHZ / 0.1 V
MPS1770S-R56M	0.56	61	66	0.83	0.91	20	100 KHZ / 0.1 V
MPS1770S-R82M	0.82	56.5	45	0.98	1.08	20	100 KHZ / 0.1 V
MPS1770S-1R0M	1	55.5	32	1.21	1.27	20	100 KHZ / 0.1 V
MPS1770S-1R5M	1.5	48	31	1.54	1.62	20	100 KHZ / 0.1 V
MPS1770S-2R2M	2.2	43.5	28	1.85	1.98	20	100 KHZ / 0.1 V
MPS1770S-3R3M	3.3	35	27	2.79	2.93	20	100 KHZ / 0.1 V
MPS1770S-4R7M	4.7	30	21	3.98	4.18	20	100 KHZ / 0.1 V
MPS1770S-5R6M	5.6	28	21	3.98	4.44	20	100 KHZ / 0.1 V
MPS1770S-6R8M	6.8	22.5	18.5	4.23	6.15	20	100 KHZ / 0.1 V
MPS1770S-8R2M	8.2	21	18	5.86	8.1	20	100 KHZ / 0.1 V
MPS1770S-100M	10	19	17	7.71	9.33	20	100 KHZ / 0.1 V
MPS1770S-150M	15	14	12	8.89	14.4	20	100 KHZ / 0.1 V
MPS1770S-220M	22	12	9.5	13.7	21	20	100 KHZ / 0.1 V
MPS1770S-330M	33	10.7	9	20	37	20	100 KHZ / 0.1 V
MPS1770S-470M	47	8.7	8.6	35.1	42.7	20	100 KHZ / 0.1 V
MPS1770S-560M	56	7.2	4.2	40.7	57.8	20	100 KHZ / 0.1 V
MPS1770S-680M	68	6.1	4.5	55	75.7	20	100 KHZ / 0.1 V
MPS1770S-820M	82	5.5	4.5	87.3	91.7	20	100 KHZ / 0.1 V
MPS1770S-101M	100	5	4	105	110	20	100 KHZ / 0.1 V

High Current Inductor \ MPS Type

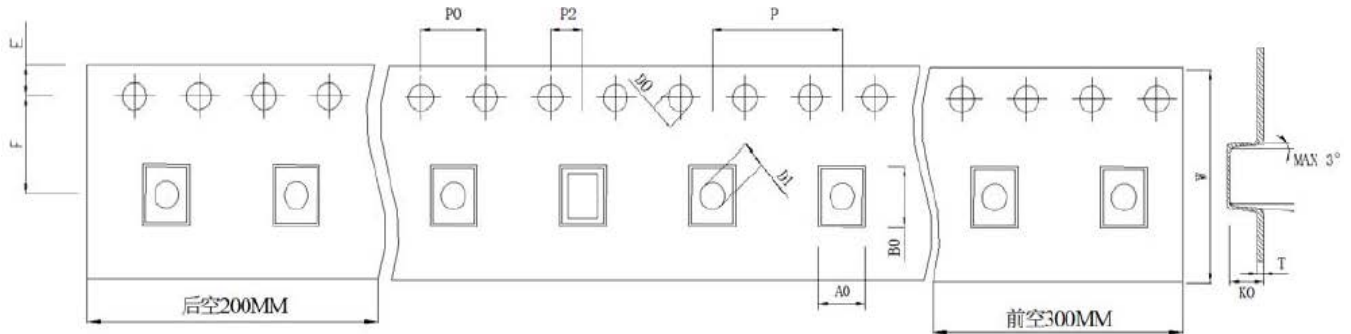
Note

1. Isat : DC Saturation Current that will cause initial inductance to drop approximately 30 % max.
2. Irms : DC Current that will cause an approximate ΔT of 40°C.
3. All test data is referenced to 25°C ambient.
4. Test Instrument : L (CH3302), RDC (TH2511), Isat & Irms (WK3260+WK3265B)
5. The Part temperature (ambient + T) should not exceed 125°C under worst case operating conditions.
6. Circuit design, component placement, PWB trace size and thickness, airflow and other cooling provisions affect the part temperature. Part temperature should be verified in the end application. □

High Curent Inductor \ MPS Type

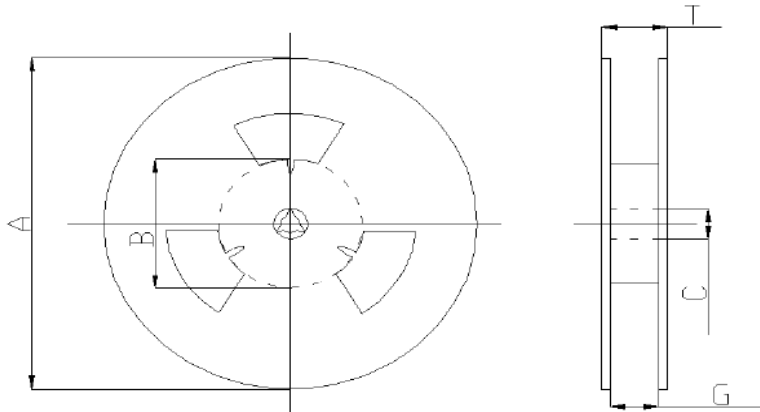
1. Packing Specifications

1. Taping Dimension(m/m)



Part No.	W	A0	B0	K0	E	F	P	P0	P2	D0	D1	T
12mm	12.5±0.5	4.3±0.1	4.8±0.1	2.2±0.15	1.75±0.1	5.5±0.1	8.0±0.1	4.0±0.1	2.0±0.1	1.5±0.1	1.5±0.3	0.4±0.05
16mm	16.0±0.5	7.2±0.1	8.0±0.1	3.3±0.15	1.75±0.1	5.5±0.1	8.0±0.1	4.0±0.1	2.0±0.1	1.5±0.1	1.5±0.3	0.4±0.05
24mm	24.0±0.5	13.3±0.1	14.2±0.1	6.6±0.15	1.75±0.1	5.5±0.1	8.0±0.1	4.0±0.1	2.0±0.1	1.5±0.1	1.5±0.3	0.4±0.05
32mm	32.0±0.5	17.7±0.1	19.4±0.1	7.9±0.15	1.75±0.1	5.5±0.1	8.0±0.1	4.0±0.1	2.0±0.1	1.5±0.1	1.5±0.3	0.4±0.05

2. Reel Dimension(m/m)



Item	A	B	C	G	T
13"x12	330	100	13	12.5	14.5
13"x16	330	100	13	16.5	20.4
13"x24	330	100	13	24	28.5
13"x32	330	100	13	32	36

3. Tape Peel off Strength

The force to tear off cover tape: 10~130g.f

