

Bead Core / RHB Series

Features:

These filters suppress voltage & current spikes within the circuits and provide protection to semiconductor devices.

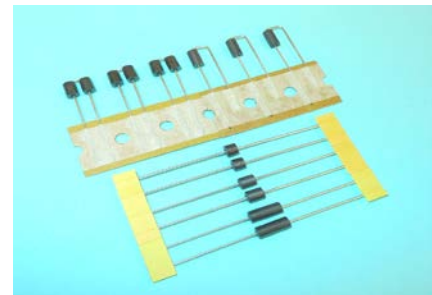
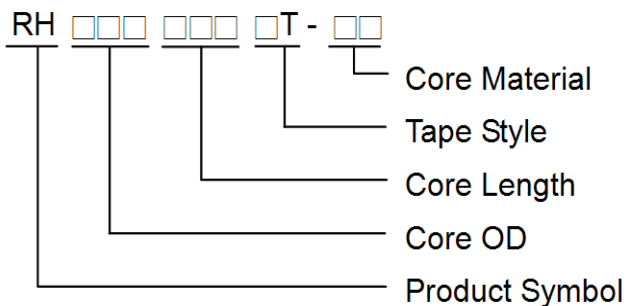
These filters can be mounted directly onto the leads of components utilizing no additional space.

When these products are placed in series with diodes, they more effectively suppress transient current

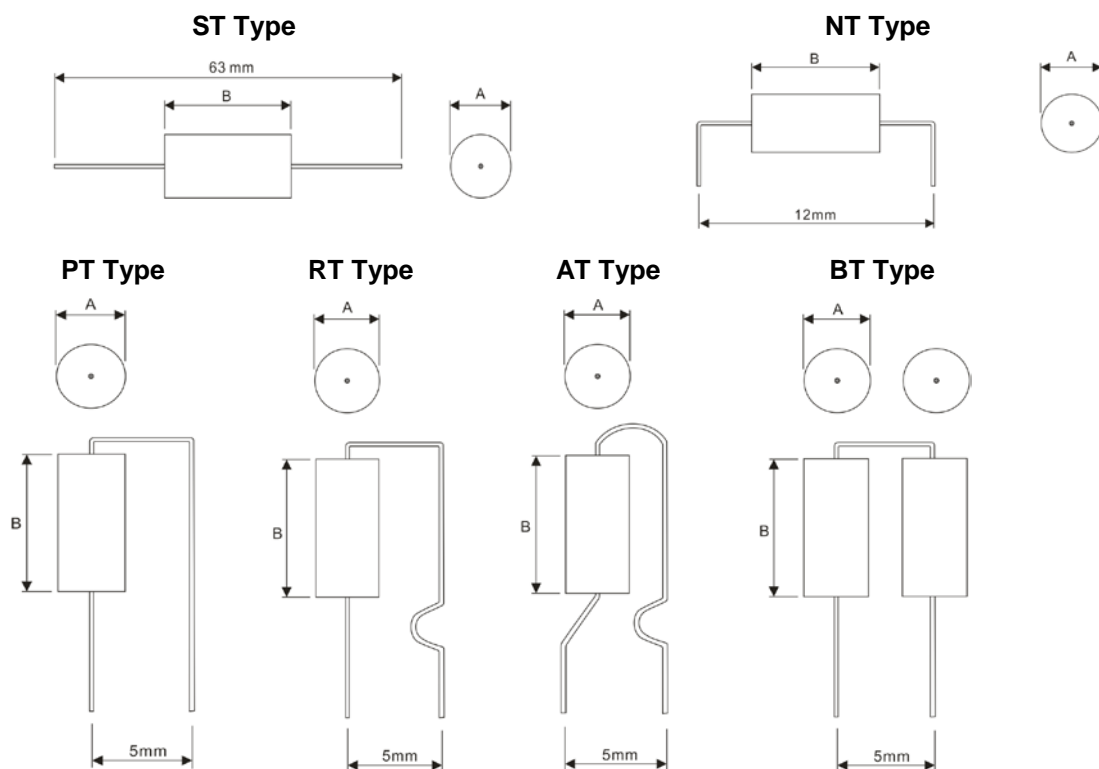
Applications:

RHB type cores are produced for the automatic insertion into PC boards.

Product Identification :



Shape and Dimension



Dimensions

TYPE	A(mm)	B(mm)	TYPE	A(mm)	B(mm)
RH025040	2.5±0.15	4.0±0.2	RH035050	3.5±0.2	5.0±0.3
RH025047	2.5±0.3	4.7±0.3	RH035060	3.5±0.2	6.0±0.3
RH030030	3.0±0.2	3.0±0.2	RH035075	3.5±0.2	7.5±0.3
RH030060	3.0±0.2	6.0±0.2	RH035080	3.5±0.2	8.0±0.3
RH035030	3.5±0.2	3.0±0.3	RH035090	3.5±0.2	9.0±0.3
RH035045	3.5±0.2	4.5±0.3	RH035100	3.5±0.2	10.0±0.3
RH035047	3.5±0.2	4.7±0.3	-	-	-

Bead Core / RHB Series

Electrical Characteristics (RH_ST TYPE)

Part No.	Impedance (Ω) Min	Rated Current (A) Max	Test Frequency MHz
RH025040ST-A8	35	5	100
RH025047ST-A8	48	5	100
RH030030ST-A8	30	5	100
RH030060ST-A8	60	5	100
RH035030ST-A8	40	5	100
RH035045ST-A8	45	5	100
RH035047ST-A8	50	5	100
RH035050ST-A8	60	5	100
RH035060ST-A8	50	5	100
RH035075ST-A8	70	5	100
RH035080ST-A8	70	5	100
RH035090ST-A8	80	5	100
RH035100ST-A8	100	5	100

Electrical Characteristics (RH_PT TYPE)

Part No.	Impedance (Ω) Min	Rated Current (A) Max	Test Frequency MHz
RH035045PT-A8	45	5	100
RH035060PT-A8	65	5	100

Electrical Characteristics (RH_RT TYPE)

Part No.	Impedance (Ω) Min	Rated Current (A) Max	Test Frequency MHz
RH035080RT-A8	90	5	100

Electrical Characteristics (RH_AT TYPE)

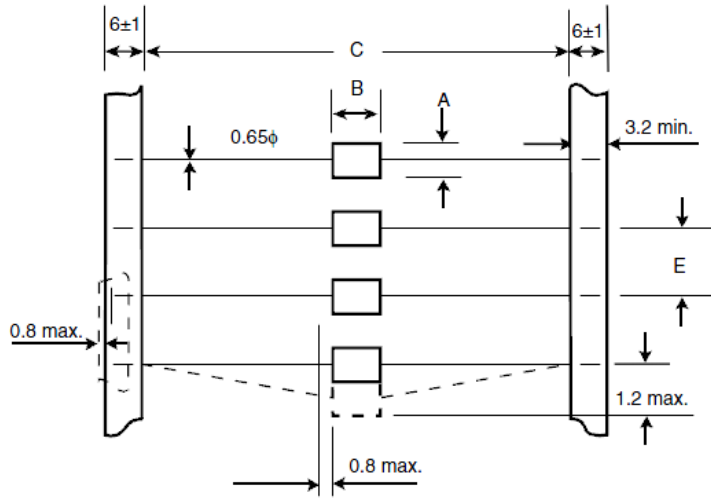
Part No.	Impedance (Ω) Min	Rated Current (A) Max	Test Frequency MHz
RH035050AT-A8	50	5	100

Electrical Characteristics (RH_BT TYPE)

Part No.	Impedance (Ω) Min	Rated Current (A) Max	Test Frequency MHz
RH035047BT-A8	100	5	100
RH035050BT-A8	100	5	100
RH035060BT-A8	120	5	100
RH035090BT-A8	180	5	100

Bead Core / RHB Series

.Packing Specifications



Unit : (m/m)

Item	Component Body Diameter	Component Pitch	Inside Tape Spacing
Symbol	A	E ± 0.5	C
Dimension	0 To 5	5.0	52.4 ± 1.5
	5 To 10	10.0	63.5 ± 1.5
	10 To 15	15.0	73.0 ± 1.5

Quantity : 2000pcs / Box

.Recommended Reflow Soldering Conditions (For Lead Free)

